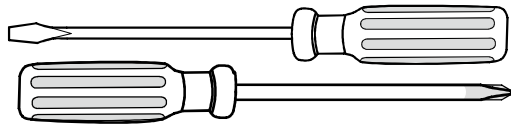
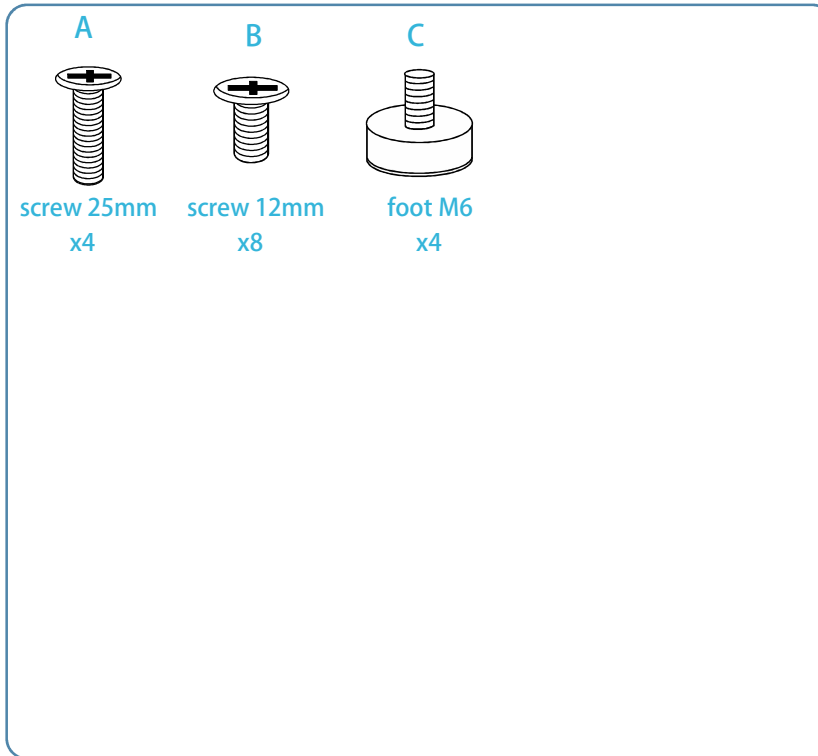


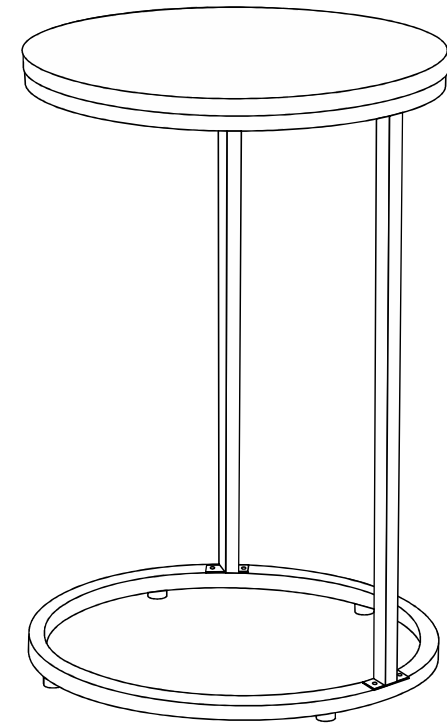
# Brixton

## Side Table - Round

Thank you for your purchase. Please follow the instructions for correct assembly. While we took great effort to ensure these assembly instructions were correct at the time of printing, sometimes updates are required post production. For the most up to date versions please refer to the product page on our website. [mocka.com.au](http://mocka.com.au)/[mocka.co.nz](http://mocka.co.nz)



Phillips & Flathead screwdrivers required.  
For quicker assembly, we recommend the use of a power drill on a low-speed setting.

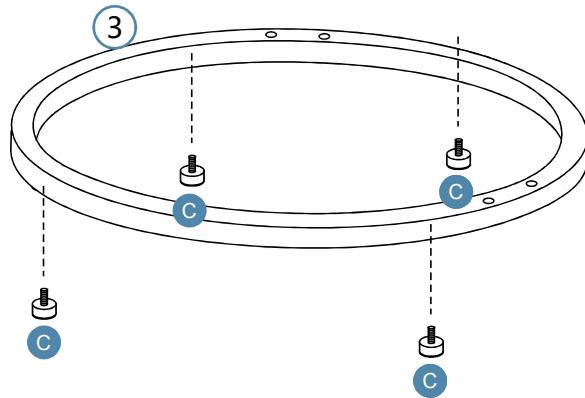


# Mocka.

# Brixton

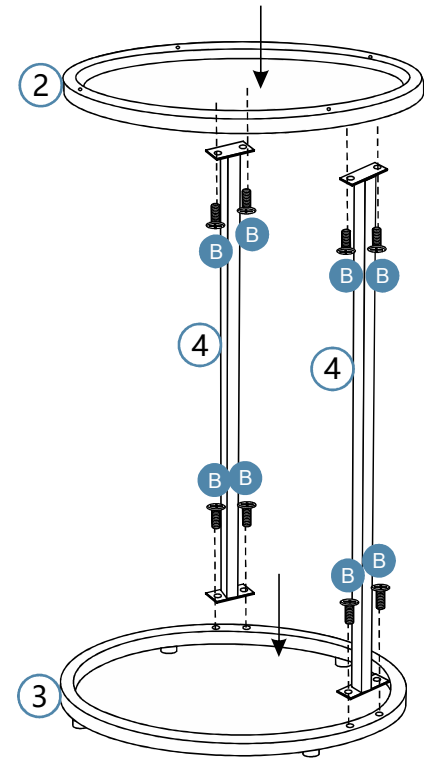
## Side Table - Round

1



Insert 4 x foot (C) into frame [3].

2

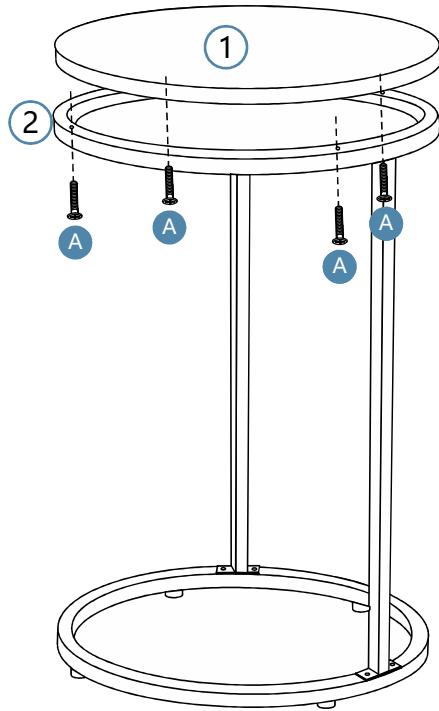


Attach frames [4] to frames [2] and [3] with 8 x screws (B).

# Brixton

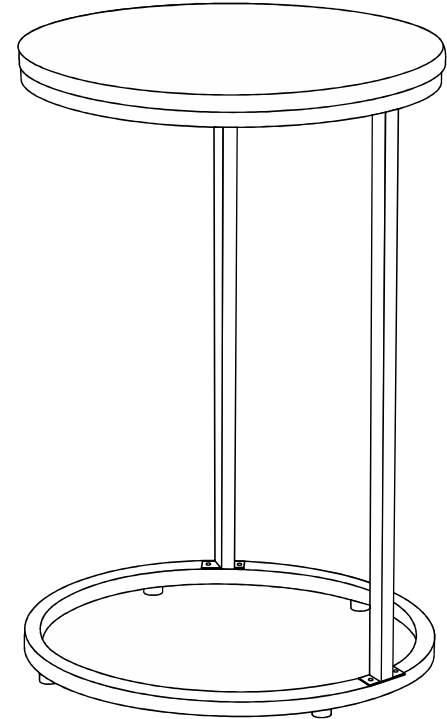
## Side Table - Round

3



Attach panel [1] to frame [2] with 4 x screws (A).

4



You`re done, enjoy!